

FULL CIRCLE ROTOR

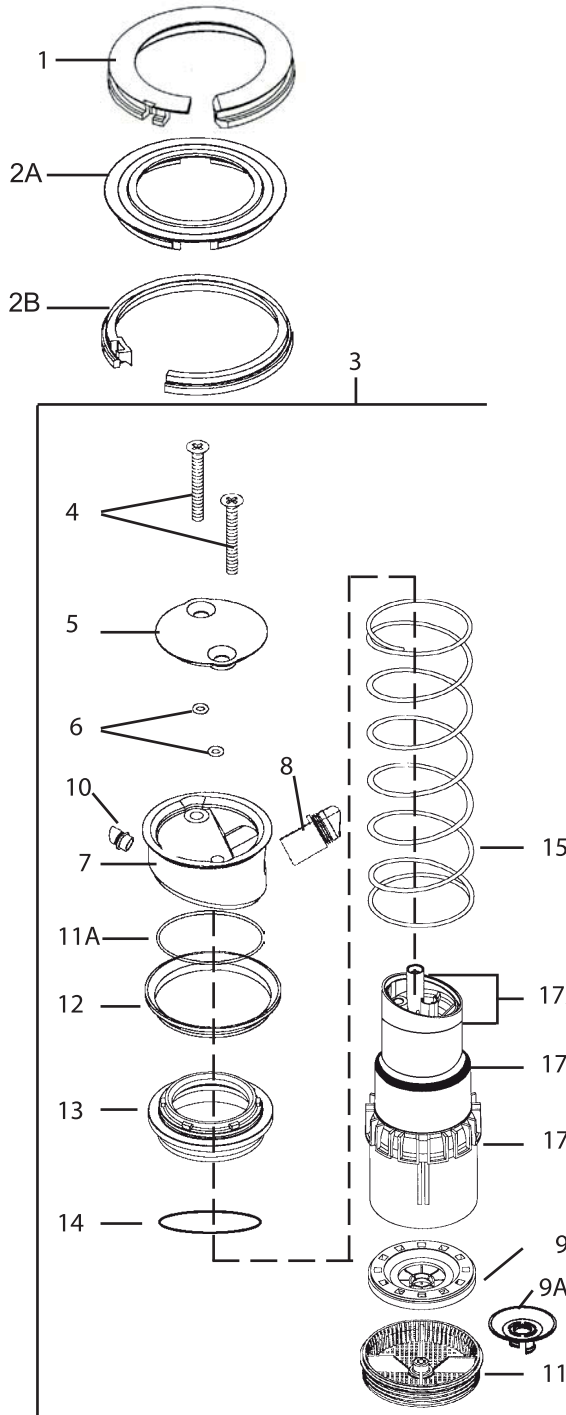
EAGLE - 900 SERIES



Ref. No. : 496

Date : 03/2005

Page : 1 of 2



| Ref. | Part Description | Qty. | 900-E | 900-S | 900-H |
|---------------------------------------|---|------|--------------------|-----------|-----------|
| SNAP RINGS | | | | | |
| 1 | Snap Cover (all models) | 1 | 211934-01 | 211934-01 | 211934-01 |
| 2A | Cover, Rubber | | included in 211598 | | |
| 2B | Snap Ring, Upper | | included in 211598 | | |
| INTERNAL ASSEMBLY | | | | | |
| 3 | Internal Assembly | 1 | 210786-60 | 211918-60 | 210786-60 |
| * COVER ASSEMBLY | | | | | |
| 4 | Screw, 1/4 - 15 | 2 | 210975 | 210975 | 210975 |
| 5 | Cover, Housing | 1 | 211966 | 211966 | 211966 |
| 6 | O-Ring, Screw | 2 | 209778 | 209778 | 209778 |
| **NOZZLES | | | | | |
| | Nozzle/Housing/Stator Kit (A) | 1 | 212067-xx | 212067-xx | 212067-xx |
| | Nozzle/Housing/Stator Kit (B) | 1 | 210422-xx | 210422-xx | 210422-xx |
| | Nozzle/Housing/Stator Kit (C) | 1 | 211216-xx | 211216-xx | 211216-xx |
| 7 | Housing, Nozzle - Black (E) | 1 | — | — | — |
| 8 | Nozzle Assembly, Range | 1 | — | — | — |
| 10 | Spreader Nozzle Assembly | 1 | — | — | — |
| 9A | Poppet | 1 | — | — | — |
| 9 | Stator | 1 | — | — | — |
| 12 | Seal, Retract | 1 | 210231 | 210231 | 210231 |
| 11 | Screen | 1 | 210232 | 210232 | 210232 |
| BEARING / RISER-MOTOR ASSEMBLY | | | | | |
| 11A | O-Ring, Nozzle Housing | 1 | 210168 | 210168 | 210168 |
| 13 | Guide, Bearing, STD | 1 | 211460 | — | 211460 |
| 13 | Guide, Bearing, LO-FLOW | 1 | — | 211461 | — |
| 14 | O-Ring, Bearing Guide | 1 | 212383 | 212383 | 212383 |
| 15 | Spring, Retract | 1 | — | — | — |
| 17 | Riser Motor Assembly | 1 | 209836 | 209836 | 209836 |
| 17A | Nozzle Base Replacement Kit w/Seal | 1 | 212060 | 212060 | 212060 |
| 17B | Pop-up Seal (White) | 1 | 209781 | 209781 | 209781 |
| CASE ASSEMBLIES | | | | | |
| 18 | Case Assembly (BSP) | 1 | 212472-03 | 212474 | 212473 |
| 19 | PRS/Selector Assy (>6/95) 2 tubes | 1 | 211418 | — | — |
| 21 | Cover, Threaded (F) | 1 | (F) | — | — |
| 22 | O-Ring, Stem Cover (F) | 1 | (F) | — | — |
| 24 | Selector Washer | 1 | 210040 | — | — |
| 25 | PRS Cartridge (F) | 1 | (F) | — | — |
| 26 | Seal, Selector (F) | 1 | (F) | — | — |
| 20 | PRS/Housing Kit (>6/95) 2 tubes | 1 | 211386 | — | — |
| 27 | Base Nut | 1 | 602606 | — | — |
| 29 | Tube, Welded | 1 | 630028 | — | — |
| | Plunger Assembly (not shown) | 1 | 629453 | — | — |
| 30 | Tubing | 1 | 205920-02 | 205920-02 | — |
| 32 | Ferrule | 2 | 206409 | — | 206409 |
| 33 | Solenoid Assembly | 1 | 206920-01 | — | — |
| | Plunger Assembly (not shown) | 1 | 629453 | — | — |
| 34 | Retainer, Rubber | 1 | 627167 | — | — |
| 35 | U-Frame | 1 | 210914 | — | — |
| 36 | Coil | 1 | 602118 | — | — |
| 37 | Snap Ring, Lower | 2 | 208396 | 208396 | 208396 |
| 38 | HPDV Valve Assembly | 1 | 211266 | 212323 | 212323 |
| | HFDV Diaphragm Assembly Kit (<8/99) (Not Shown) | 1 | 207594 | 208439 | 208439 |
| 39 | Screen, Inlet (<9/98) | 1 | 209923 | 209923 | 209923 |
| 40 | Top Serviceable Rock Screen | 1 | 211714-02 | 211714-02 | 211714-02 |
| 41 | Probe & O-ring Assembly | 1 | 207402 | 207402 | 207402 |

(A) Specify Nozzle Size when ordering. Available in # 44, 48, 52, 56, 60, 64

(B) Specify Nozzle Size when ordering. Available in # 18, 22, 24.

(C) Specify Nozzle Size when ordering. Available in # 20, 26, 28, 30, 32.

**Diffuser Screw Kit: 212144 (not compatible with Nozzles #18, 22, 24)

(E) The Nozzle Housing was changed 8/99 to accommodate the new Spreader for the High performance nozzles. All 900 rotors and nozzle/Stator kits manufactured after 8/99 have the new Nozzle Housing. (F) Included in PRS/Selector Repair Kit # 210166. Use 212150 for cases made after 5/2001. * Rubber cover (#211598) and artificial grass cover (#P00904) kits are available for old cases. Rubber cover kit for new cases : 212553. Artificial grass cover kit for new cases : B99500

