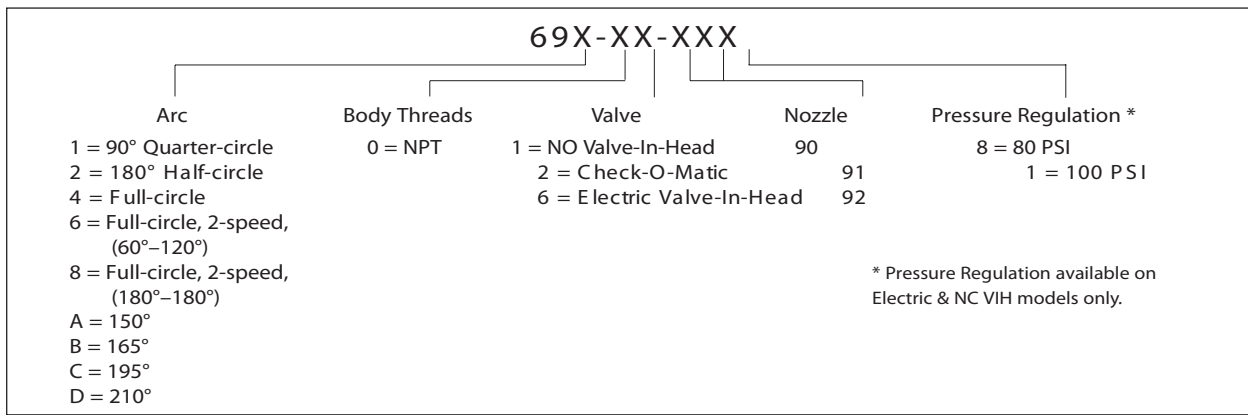


**Model Number Information**



Item No.	Part No.	Description	Quantity Per Assy.
1	3-2518	Plug, Cap, Rubber	1
2	3-3567	Screw, Machine, 1/4-20 x3/8"	1
3	3-3582	Cover, Cap, Rubber	1
4	3-3532	Cap, Blank	1
5	9-2734	Strap, Spring	1

Item No.	Part No.	Description	Quantity Per Assy.
6	9-2738	Spring, Retraction	2
7	89-5816	Nozzle, Main, 3/8", #90	1
7	3-3542	Nozzle, Main, 7/16", #91	1
7	3-3543	Nozzle, Main, 1/2", #92	1
8	3-3535	Straightener, Stream	1
9	3-3531	Base, Nozzle, Full-circle	1
9	9-1079	Base, Nozzle, Part-circle	1
10	9-5535	Nozzle, Back	1
11	3-3536	Snap Ring, Head	1
12	363-3210	O-Ring, 0.139" x 4.359" x 4.637"	1
13	9-1849	Drive Assy., Quarter-circle, 691 (Includes Item 14)	1
13	9-1850	Drive Assy., Half-circle, 692 (Includes Item 14)	1
13	3-3585	Drive Assy., Full-circle, 694 (Includes Item 14)	1
13	35-5123	Drive Assy., 696, 2-Speed, 60°-120° (Includes Item 14)	1
13	3-3549	Drive Assy., 698, 2-Speed 180° (Includes Item 14)	1
13	89-8145	Drive Assy., 150° (Includes Item 14)	1
13	89-8146	Drive Assy., 165° (Includes Item 14)	1
13	89-8147	Drive Assy., 195° (Includes Item 14)	1
13	89-8148	Drive Assy., 210° (Includes Item 14)	1
14	9-2736	Collar, Spring	1
15	3-3586	Stator, 3/8", #90	1
15	3-3568	Stator, 7/16", #91	1
15	3-3555	Stator, 1/2", #92	1
16	3-3304	Snap Ring, Valve	1
17	9-1479	Cylinder Assy., NO, COM & Drain Valve	1
17	9-1486	Cylinder Assy., EI & NC	1
18	3-3311	Spring, Valve, COM	1
18	3-3323	Spring, Valve, EL, NO, NC & Drain Valve	1
19	89-1201	Piston Assy., Valve, NO & COM	1
19	3-3355	Piston Assy., Valve, Drain	1
19	89-0937	Piston Assy., Valve, EI & NC	1
20	-----	Body, 690 (See Service Items)	1
21	9-6002	Adapter, Tubing, Threaded, 1/4"	1
22	*89-8157	Cap, Poly, 1/4"	1
23	*900-40	Retainer, Tube	2
24	9-2624	Tubing, Poly 1/4" x 16.5"	1
25	-----	Pilot Valve Assy. (See p. 76)	1
26	3-2696	Screw, Tap, #8	2
27	3-3581	Cover, Body, Rubber	1
		SERVICE ITEMS	
	3-3529	Cap Assy., Rubber Cover (Includes Items 3 & 4)	
	2-9647	Screw, Machine, #10-24 x 1.5"	
	3-3579	Body, Electric w/o/VIH (Includes Items 20-23)	
	89-4861	Body, Electric w/VIH (Includes Items 16-23)	
	89-4873	Body, Electric w/VIH, 80 psi. PV (Includes Items 16-21 and 23-26)	
	89-1019	Body, Electric w/VIH, 100 psi. PV (Includes Items 16-21 and 23-26)	
	3-3558	Body, Hydraulic NO w/o/VIH (Includes Items 20-23)	
	89-1038	Body, Hydraulic NO w/VIH (Includes Items 16-23)	
	9-1497	Body, COM w/o/VIH (Includes Items 20, 21, 23 and 24)	
	89-4879	Body, COM w/VIH (Includes Items 16-21, 23 and 24)	
	89-0088	Pilot Valve Assy., 100 Lbs. w/Tubing (includes Items 21 & 23-26)	
	9-4079	Nozzle Assy., 690-90 (Includes Items 7-10)	
	9-4080	Nozzle Assy., 690-91 (Includes Items 7-10)	
	9-4081	Nozzle Assy., 690-92 (Includes Items 7-10)	
	9-4083	Nozzle Assy., 694-90 (Includes Items 7-10)	
	9-4084	Nozzle Assy., 694-91 (Includes Items 7-10)	
	9-4085	Nozzle Assy., 694-92 (Includes Items 7-10)	
	9-5747	Nozzle Base Assy., 690	
	9-2669	Retraction Assy., Spring (Includes Items 5, 6, 11 & 14)	
	690-01	Kit, Cover, Rubber (Includes Items 1, 3 & 27)	
	9-7271	Adapter, Tubing, Oversized Thread	
		SERVICE TOOLS	
	995-06	Drive Assy. Extraction Tool	
	995-07	Valve Snap Ring Pliers	
	995-09	Valve Removal Tool	
	995-12	Valve Insertion Tool	
	995-15	Selector Tool (Flag Key)	
	995-17	Riser Pliers	
	995-20	Valve Insertion Tool, Rubber Cover	
	995-22	Hose Adapter	
	995-49	Pressure Gauge	
	995-50	Pilot Tube	
	995-51	Pressure Gauge Kit	
	995-100	Valve Snap Ring Pliers with Screen Remover	
		* Order Through Finished Goods Distribution System--Minneapolis	